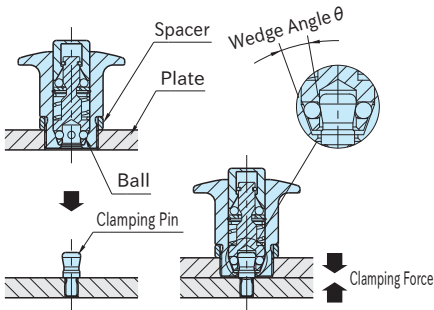




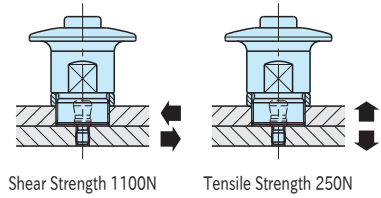
## Feature



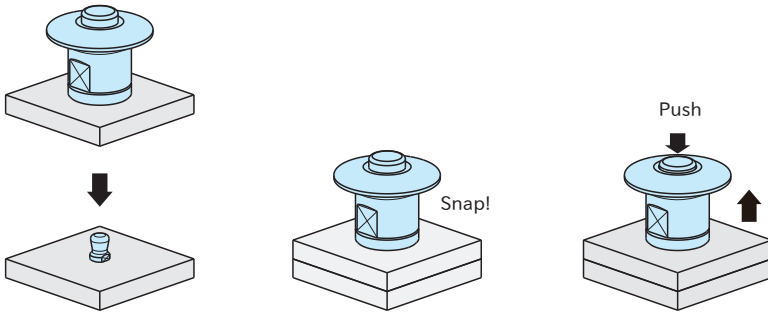
Four balls hold the Clamping Pin to pull the plate for clamping.

## Technical Information

- Heatresistant Temperature 180°C
- Mechanical Strength



## How To Use

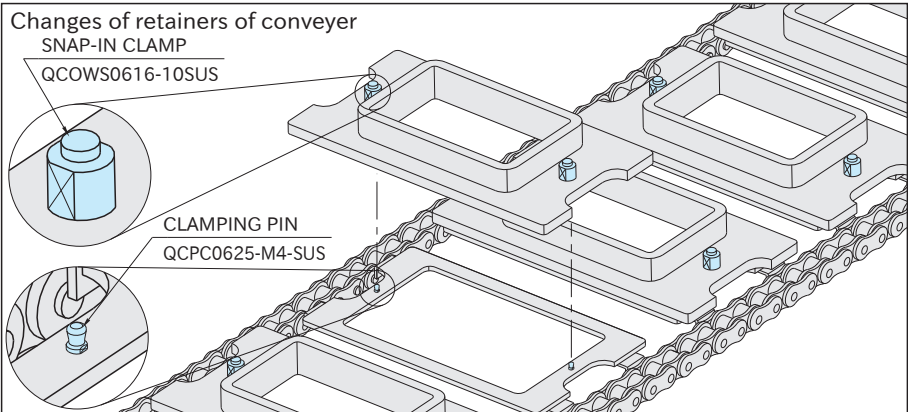


1. Put Snap-In Clamp over the Clamping Pin. No need to push the button.

2. Clamped instantly as the pin is inserted.

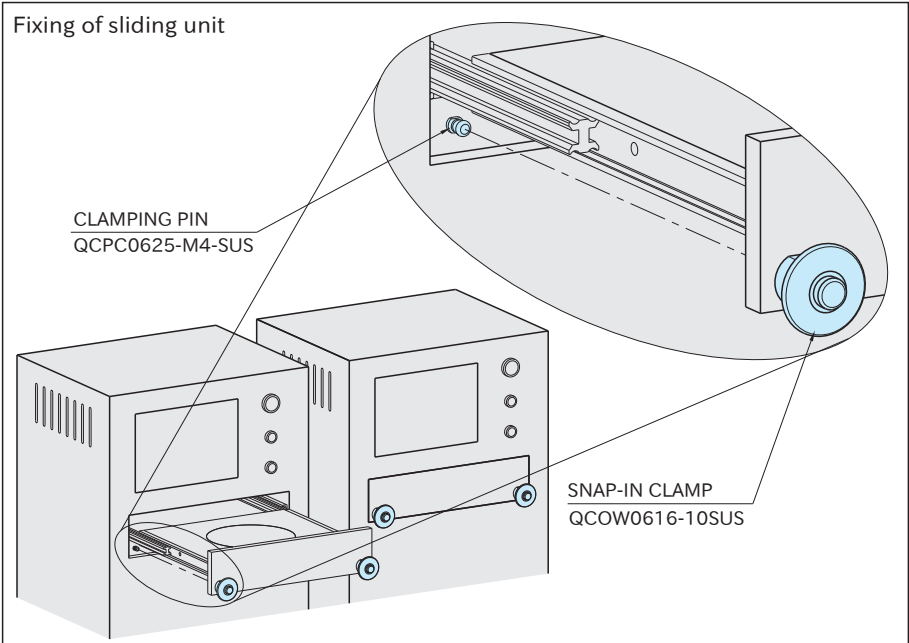
3. For unclamping, push the button and pull the clamp.

## Application Example



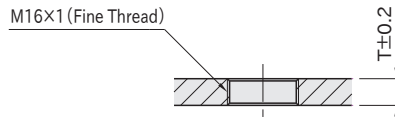
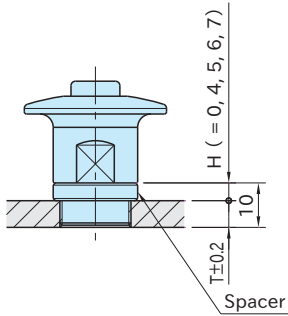
## Application Example

### Fixing of sliding unit

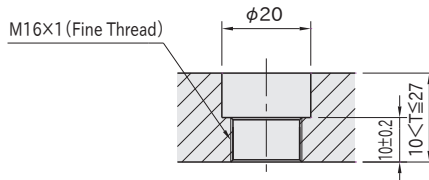
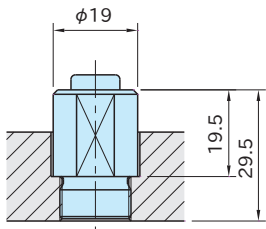


## How To Install

### For 3 to 10mm-thick plate

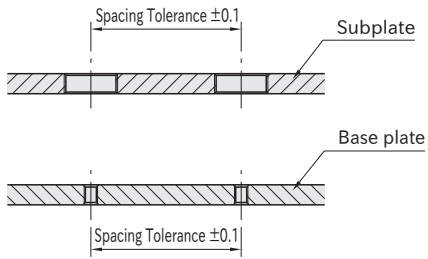


### For over 10mm-thick plate



## Accuracy

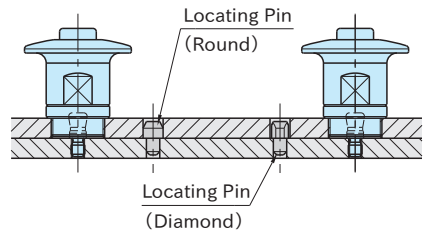
### ■ Machining Accuracy



Spacing tolerance on both the subplate and the base plate should be  $\pm 0.1$ .

### ■ Repeatability

Repeatability  $\pm 0.25$



For higher accurate locating, use locating pins.