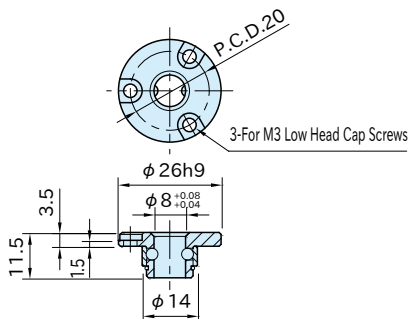


QCTHS-B

LOCKING RECEPTACLE



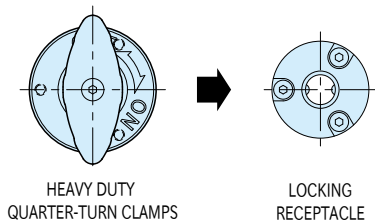
Body	Ball	Collar	Retaining Ring
S45C steel Electroless nickel plated	SUS440C stainless steel	SKS3 steel Electroless nickel plated Quenched and tempered	SUS304WPB stainless steel

Part Number	Weight (g)	Proper Heavy Duty Quarter-Turn Clamps	Proper Retractable Heavy Duty Quarter-Turn Clamps
QCTHS0834-B	19	QCTHS0834-20 QCTHS0834-20S	QCTHSA0834-20 QCTHSA0834-20S

Supplied With

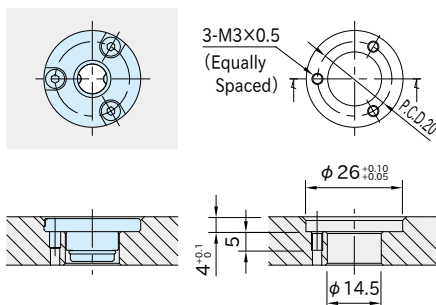
3 of low head cap screws(stainless steel), M3×0.5-6L

Installing Position



How To Install Receptacle

Plate thickness should be 9mm or more.



Reference

"Accuracy" of [QCTHS](#) [QCTHSA](#) Heavy Duty Quarter-Turn Clamps