

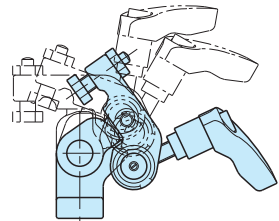
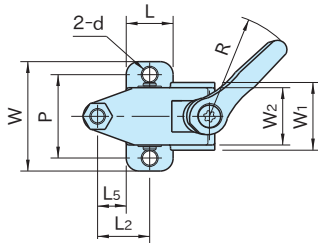
QLRE

RETRACTABLE CLAMPS WITH ADJUSTABLE HANDLE

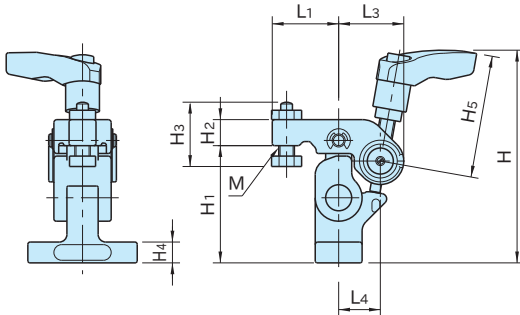


Body/Spindle	Arm/Joint
S45C steel Quenched and tempered Black oxide finish	SCM435 steel Quenched and tempered Black oxide finish

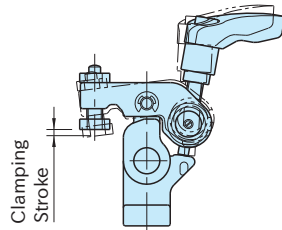
Screw clamping mechanism allows for longer clamping stroke and greater clamping force.



Unclamped

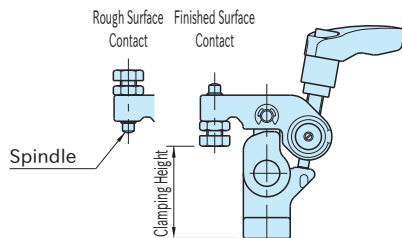


Clamping Position



Clamping Stroke

Clamping Throw



Part Number	Clamping Height *)				Clamping Stroke	L ₂	L ₅	W	L	H ₄	d	P	H	L ₁	L ₃	W ₁
	Finished Surface Contact		Rough Surface Contact													
	min.	max.	min.	max.												
QLRE-06	32 (32~29.5)	40 (40~37.5)	35 (35~32.5)	43 (43~40.5)	2.5	20	11	42	18	8	5.5	32	81	25.5	25	26
QLRE-08	37 (37~33.5)	48 (48~44.5)	42 (42~38.5)	53 (53~49.5)	3.5	25	14	52	22	10	6.6	40	100	32	31	32

*) Clamping height can be adjusted. The parenthesised values denote actual clamping height.

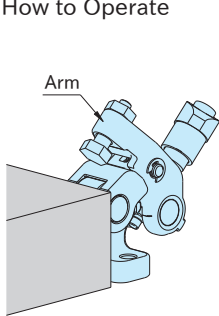
Part Number	W ₂	H ₂	H ₁	M	H ₃	R	H ₅	L ₄	Adjustable Handles **)	Allowable Operating Load (N) ***)	Clamping Force (kN)	Clamping Mechanism	Weight (g)
QLRE-06	22	10	45	M6×1	24	40	47	16	FKF6-BR	170	2.4	Srew	242
QLRE-08	28	12	55	M8×1.25	30.5	65	63	20	FKF8-BR	210	4.2		490

**) Studs are bonded with FKF handles.

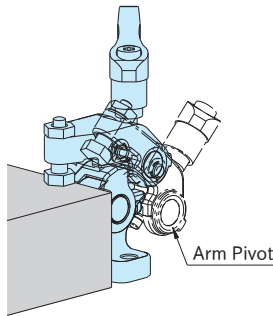
***) Allowable load to operate the handle.

How To Use

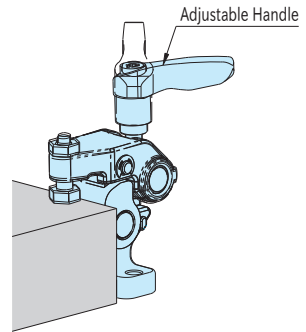
How to Operate



1. Unclamped
Load a workpiece.



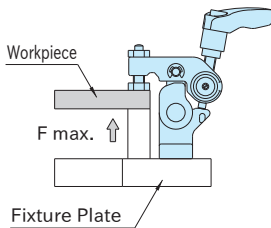
2. Clamping Setup
Set the arm in clamping position holding it at the arm pivot.



3. Clamping
Tighten the adjustable handle to clamp the workpiece.
(For unclamping, follow the above steps back.)

Technical Information

■ Allowable Loads in Machining of Workpiece Bottom
Ensure that any force more than stated below is not applied.



Part Number	Allowable Force to Workpiece Bottom (per Clamp)
QLRE-06	max. 5kN
QLRE-08	max. 6kN

Performance Curve

