

- Chiave inclusa
- Key included
- Schluessel inbegriffen

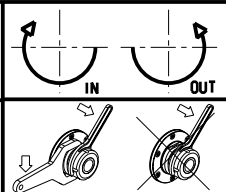
Cod. MT	Mandrino Spindle Spindel	I	RPM	Coppia Max Max Torque Max Drehmoment	Reversibile lato mandrino/contromandrino Reversible sub/main spindle side Umkehrbare Spindel-seite/ Gegenspindel-seite	Lubrificazione int. Coolant through Innenkuehlung	Lubrificazione est. Ext. coolant Aussenkuehlung	CHIAVI NON INCLUSE Keys not included Schluessel nicht einbegriffen		
								C HUB30	C HUB19_SP3	C HTAER16ZC
DW 01890316	ERA16	1:1	6000	25Nm	X	-	X	C HUB30	C HUB19_SP3	C HTAER16ZC
DW 01890416	ERA16	1:1	6000	25Nm	X	P=70bar	X	C HUB30	C HUB19_SP3	C HTAER16ZC

DOOSAN BMT 45

MOD: LYNX 220 M/LM/LMS/LY/LSY - LYNX 2100 M/LM/LMS/LY/LSY - PUMA MX1600 16ST. - PUMA TW2100M 10ST. - PUMA TT1300SY/SYY

MODULO MOTORIZZATO RADIALE DISASSATO IN Z 36mm
 Radial driven tool re-directed in Z by 36mm
 Radial angetriebenes Werkzeug achsversetzt in Z um 36mm

Subject to change without notice.

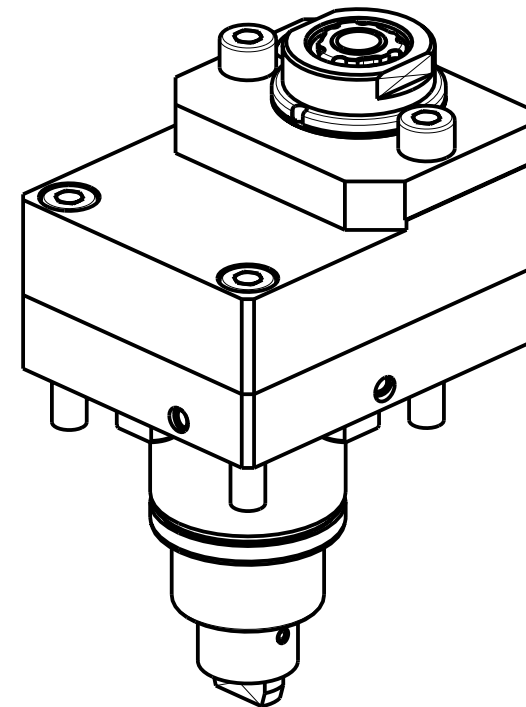
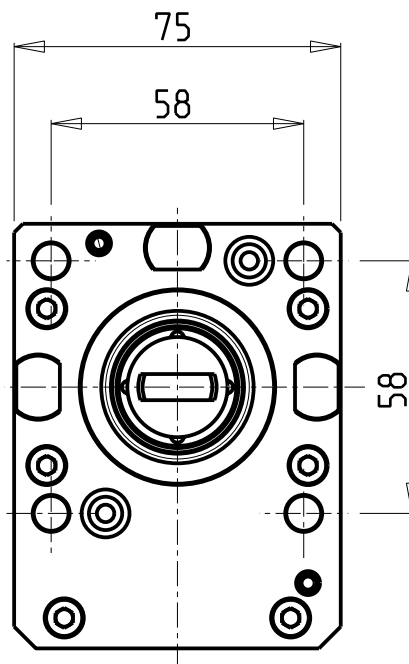
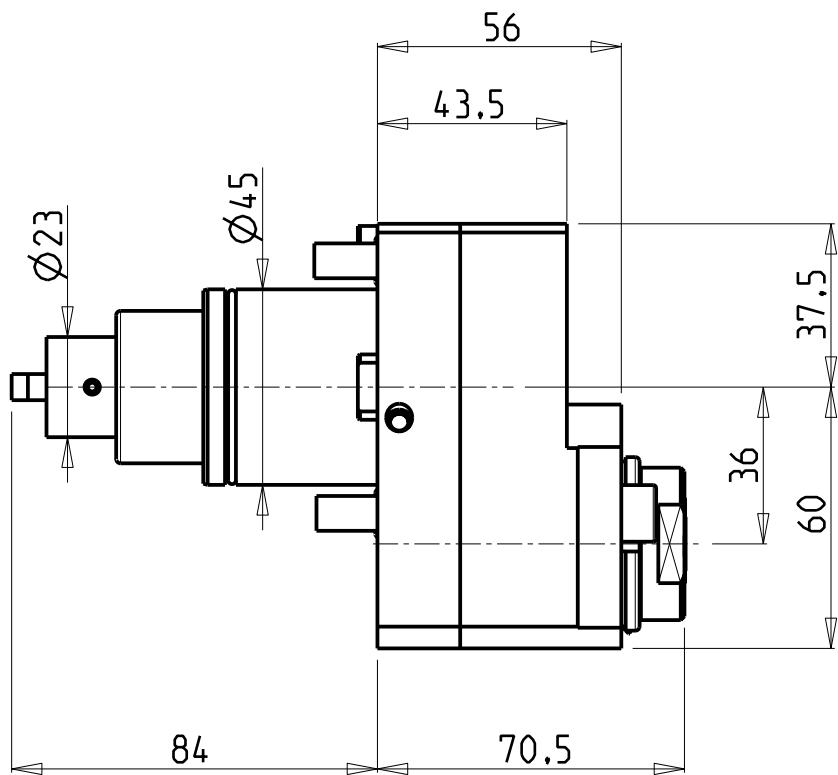


M.T. srl
 Via Casino Albini 480
 Tel. 0541/956034-957884
 Fax 0541/956341
 47842 S. GIOVANNI IN M. (RN)
 e-mail: mtma@mtmarchetti.com
 http://www.mtmarchetti.com

PRODUZIONE MODULI ROTANTI



PAGINA DW 0030-1-10



- Chiave inclusa
- Key included
- Schlüssel inbegriffen

Cod. MT	Mandrino Spindle Spindel	I	RPM	Coppia Max Max Torque Max Drehmoment	Reversibile lato mandrino/contromandrino Reversible sub/main spindle side Umkehrbare Spindel-seite/ Gegenspindel-seite	Lubrificazione int. Coolant through Innenkuehlung	Lubrificazione est. Ext. coolant Aussenkuehlung	CHIAVI NON INCLUSE Keys not included Schlüssel nicht einbegriffen		
								C HUB30	C HUB19_SP3	C HTAER16ZC
DW 01891316	ERA16	1:2	12000	15Nm	X	-	X	C HUB30	C HUB19_SP3	C HTAER16ZC
DW 01891416	ERA16	1:2	12000	15Nm	X	P=70bar	X	C HUB30	C HUB19_SP3	C HTAER16ZC

DOOSAN BMT 45

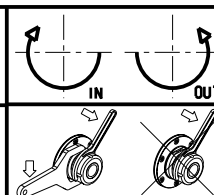
MOD: LYNX 220 M/LM/LMS/LY/LSY - LYNX 2100 M/LM/LMS/LY/LSY - PUMA MX1600 16ST. - PUMA TW2100M 10ST. - PUMA TT1300SY/SYY

MODULO MOTORIZZATO RADIALE MOLTIPLICATO I=1:2 DISASSATO IN Z 36mm

Radial geared-up I=1:2 driven tool re-directed in Z by 36mm

Radial angetriebenes Werkzeug uebersetzt I=1:2 achsversetzt in Z um 36mm

Subject to change without notice.



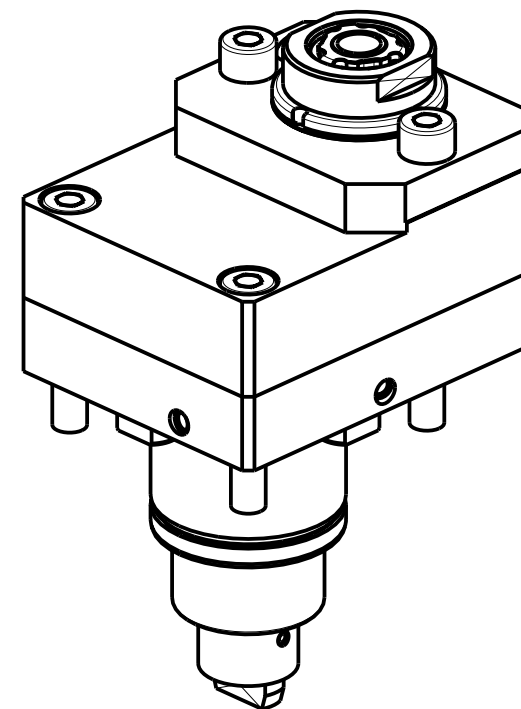
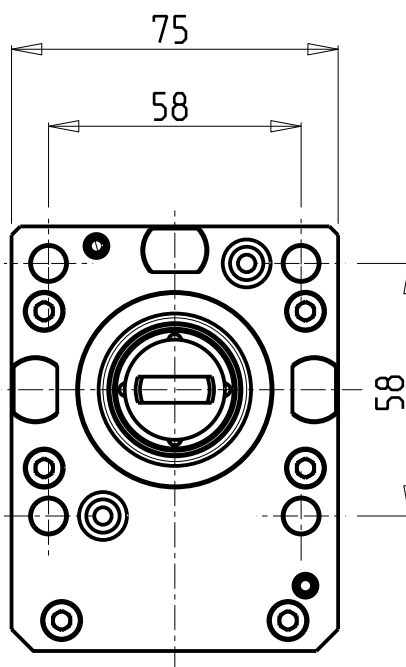
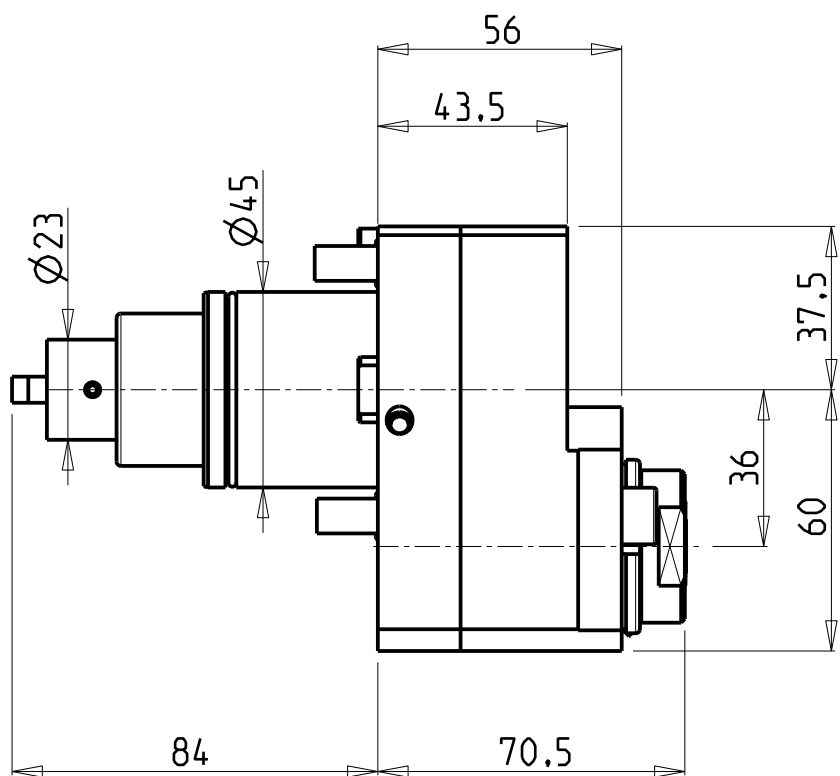
M.T. srl

Via Casino Albini 480
Tel. 0541/956034-957884
Fax 0541/956341
47842 S. GIOVANNI IN M. (RN)
e-mail: mtma@mtmarchetti.com
<http://www.mtmarchetti.com>

PRODUZIONE MODULI ROTANTI



PAGINA DW 0030-1-30



- Chiave inclusa
- Key included
- Schluessel inbegriffen

Cod. MT	Mandrino Spindle Spindel	I	RPM	Coppia Max Max Torque Max Drehmoment	Reversibile lato mandrino/contromandrino Reversible sub/main spindle side Umkehrbare Spindel-seite/ Gegenspindel-seite	Lubrificazione int. Coolant through Innenkuehlung	Lubrificazione est. Ext. coolant Aussenkuehlung	CHIAVI NON INCLUSE Keys not included Schluessel nicht einbegriffen		
								C HUB30	C HUB19_SP3	C HTAER16ZC
DW 01892316	ERA16	1:3	18000	10Nm	X	-	X	C HUB30	C HUB19_SP3	C HTAER16ZC
DW 01892416	ERA16	1:3	18000	10Nm	X	P=70bar	X	C HUB30	C HUB19_SP3	C HTAER16ZC

DOOSAN BMT 45

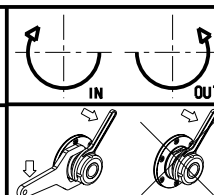
MOD: LYNX 220 M/LM/LMS/LY/LSY - LYNX 2100 M/LM/LMS/LY/LSY - PUMA MX1600 16ST. - PUMA TW2100M 10ST. - PUMA TT1300SY/SYY

MODULO MOTORIZZATO RADIALE MOLTIPLICATO I=1:3 DISASSATO IN Z 36mm

Radial geared-up I=1:3 driven tool re-directed in Z by 36mm

Radial angetriebenes Werkzeug uebersetzt I=1:3 achsversetzt in Z um 36mm

Subject to change without notice.



M.T. srl

Via Casino Albini 480
Tel. 0541/956034-957884

Fax 0541/956341

47842 S. GIOVANNI IN M. (RN)

e-mail: mtma@mtmarchetti.com
http://www.mtmarchetti.com

PRODUZIONE MODULI ROTANTI



PAGINA DW 0030-1-50