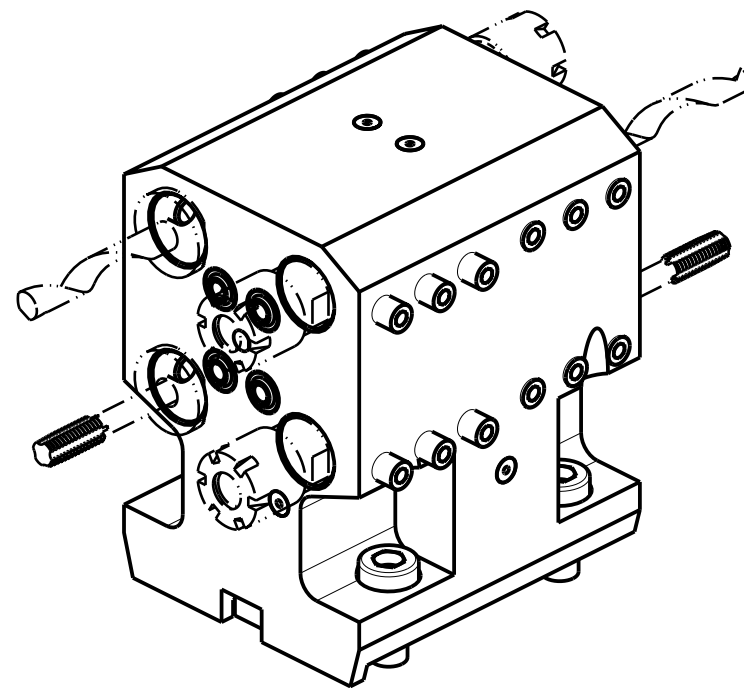


### DOTAZIONI - SUPPLIED WITH - AUSSTATTUNG

|             |  |
|-------------|--|
| <b>mm</b>   | N*5 Boccole - Bushings - Buchsen Ø16-12-10-8-6<br>N*1 ER16 Portapinza - Collet holder - Zangenhalter<br>N*1 ER25 Portapinza - Collet holder - Zangenhalter   |
| <b>inch</b> | N*3 Boccole - Bushings - Buchsen Ø1/2"-3/8"-1/4"<br>N*1 ER16 Portapinza - Collet holder - Zangenhalter<br>N*1 ER25 Portapinza - Collet holder - Zangenhalter |



| Cod. MT | N°Utensili<br>N°Tools<br>N°Werkzeuge | Lubrificazione est.<br>Ext. coolant<br>Aussenkuehlung | Reversibile lato<br>mandrino/contromandrino<br>Reversible sub/main<br>spindle side<br>Umkehrbare Spindel-seite/<br>Gegenspindel-seite | Misure<br>Dimensions<br>Masse | D    | H      |
|---------|--------------------------------------|---|---|-------------------------------|------|--------|
| 0782000 | 4+4                                  | X   | X   | mm                            | 20   | 48     |
| 0781905 | 4+4                                  | X   | X   | Inch                          | 3/4" | 1 7/8" |

### DOOSAN BMT 55

MOD: PUMA 1500-2000-2500M/MS/Y/SY - PUMA 2100 12ST. - TL2000-2500 (M)

PORTAUTENSILE ASSIALE PER BARENO 4+4 POSIZIONI Ø20mm / Ø3/4"

Axial 4+4 position boring bar holder Ø20mm / Ø3/4"

Axial Bohrhälter 4+4 Positionen Ø20mm / Ø3/4"

Subject to change without notice.

### M.T. srl

Via Casino Albini 480  
Tel. 0541/956034-957884  
Fax 0541/956341  
47842 S. GIOVANNI IN M. (RN)  
e-mail: mtma@mtmarchetti.com  
http://www.mtmarchetti.com

PRODUZIONE MODULI ROTANTI



PAGINA DW 0924-2-00