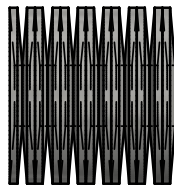
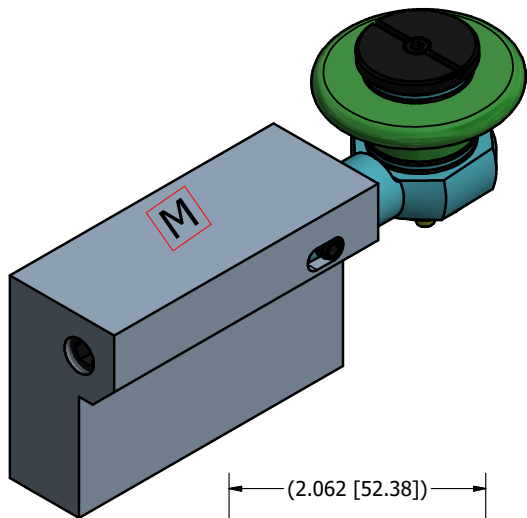


590010080558M

PART NO.

590010080558M (DATED 6-26-08)

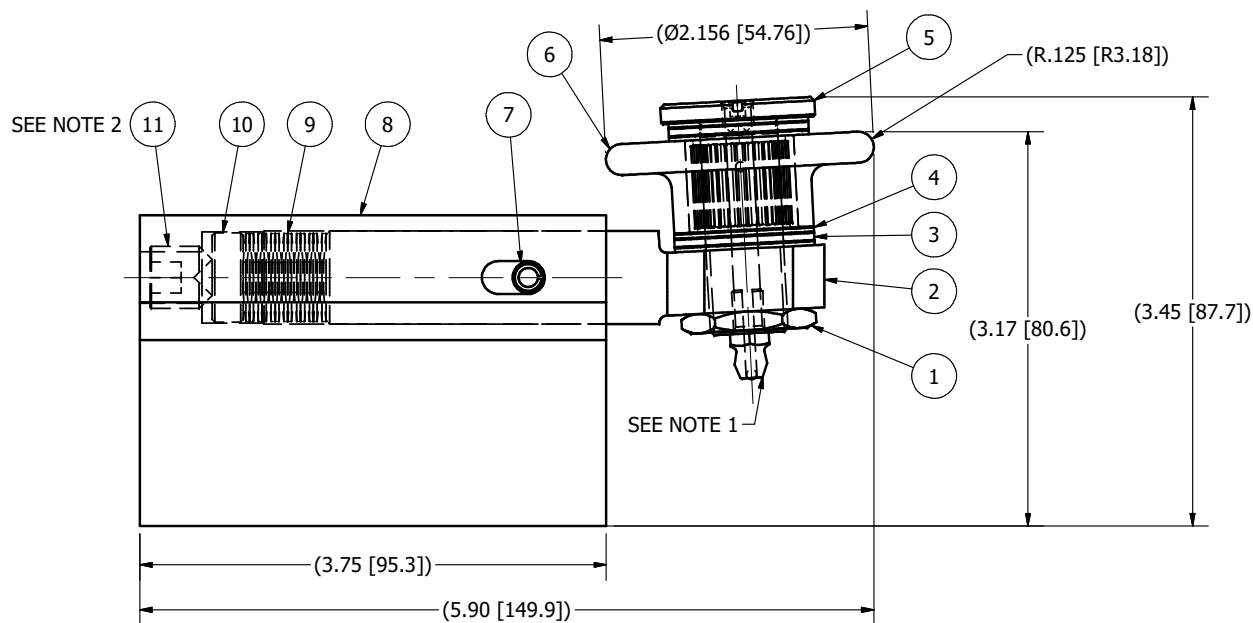
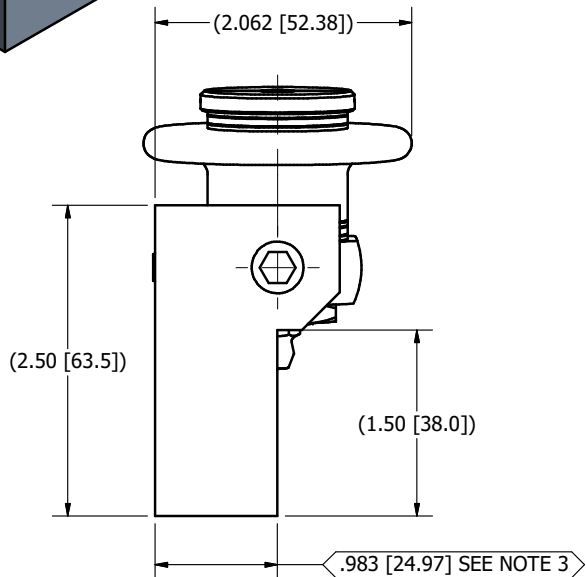
PART NO. 590010080558M



BELLEVILLE SPRING DETAIL  
SEE NOTE 3

SPRING FORCE INFO - ITEM 9	
DEFLECTION	LOAD
.064"	65 LBS.
.127"	119 LBS.
.191"	165 LBS.
.250"	208 LBS.

PARTS LIST			
ITEM	QTY	PART NUMBER	DESCRIPTION
1	1	PC76-0050818	LOCK NUT
2	1	S2075D3	SHANK
3	2	P1067-1	THRUST BEARING
4	4	P1067B	THRUST RACE
5	1	S2075D10	AXLE
6	1	590070080282	CARBIDE ROLL
7	1	P8386-24	SPRING PIN, 1/4 X 1-1/2
8	1	S2121D13M	TOOL HOLDER, METRIC
9	13	579-44	BELLEVILLE SPRING
10	1	ED18	SLUG
11	1	128B	CUP POINT SET SCREW, 1/2-13 X 1/2
12	1	S2300C	CASE (NOT SHOWN)



- NOTES:
1. ZERK FITTING AND SET SCREW ARE INCLUDED WITH AXLE AND CAN BE SWITCHED IF NECESSARY.
  2. ASSEMBLE TOOL WITH NO PRELOAD ON THE SPRING STACK. TIGHTEN THE SET SCREW ONLY TO REMOVE END PLAY.
  3. BELLEVILLE SPRINGS TO BE STACKED IN SERIES.
  4. RIGHT HAND TOOL.
  5. INSPECT THIS DIMENSION PRIOR TO SHIPMENT.

<b>M</b> MARKING METHOD		ETCH		TOLERANCES UNLESS OTHERWISE SPECIFIED		MAT'L SPEC --		MAT'L REQUIRED SEE PARTS LIST				THIS DRAWING CONTAINS INFORMATION OF A PROPRIETARY NATURE AND IS ISSUED FOR REFERENCE USE ONLY AND MAY NOT BE COPIED, REPRODUCED OR USED TO MANUFACTURE ANYTHING SHOWN HEREON WITHOUT WRITTEN PERMISSION.	
590010080558M ELLIOTT TOOL TECHNOLOGIES MADE IN USA				.XX = ±.02 .XXX = ±.005 ANGLES = ±.5°		HARDNESS NONE		PROCESS SPEC NONE		DESCRIPTION CARBIDE ROLL BURNISHING TOOL			
REV ECN DATE ENG DESCRIPTION				BREAK SHARP CORNERS .030" MAX.		MACHINED SURFACES - 125 MICRO. MAX.		FINISH NONE		ENG DRAW DATE TOOL NO. PROJECT NO.		SGP 5/20/2016 --	
A 1308 1-6-11 SGP ADJUSTED MARKING				DIMENSIONS ENCLOSED IN PARENTHESIS ARE FOR REFERENCE ONLY		DIAMETERS ON COMMON CENTERS TO BE CONCENTRIC WITHIN .003" T.I.R.		WEIGHT (LBS.) 3.847		VOLUME (CU. IN.) 43.710		CHECK CHECK DATE PART NO. CJF 5/20/2016 590010080558M	
B 2997 5/20/16 SGP SPO STANDARDIZATION				DO NOT SCALE DRAWING									
C 4130 6/11/20 DMB UPDATED NOTE 4													