

S2121-00M

PART NO.

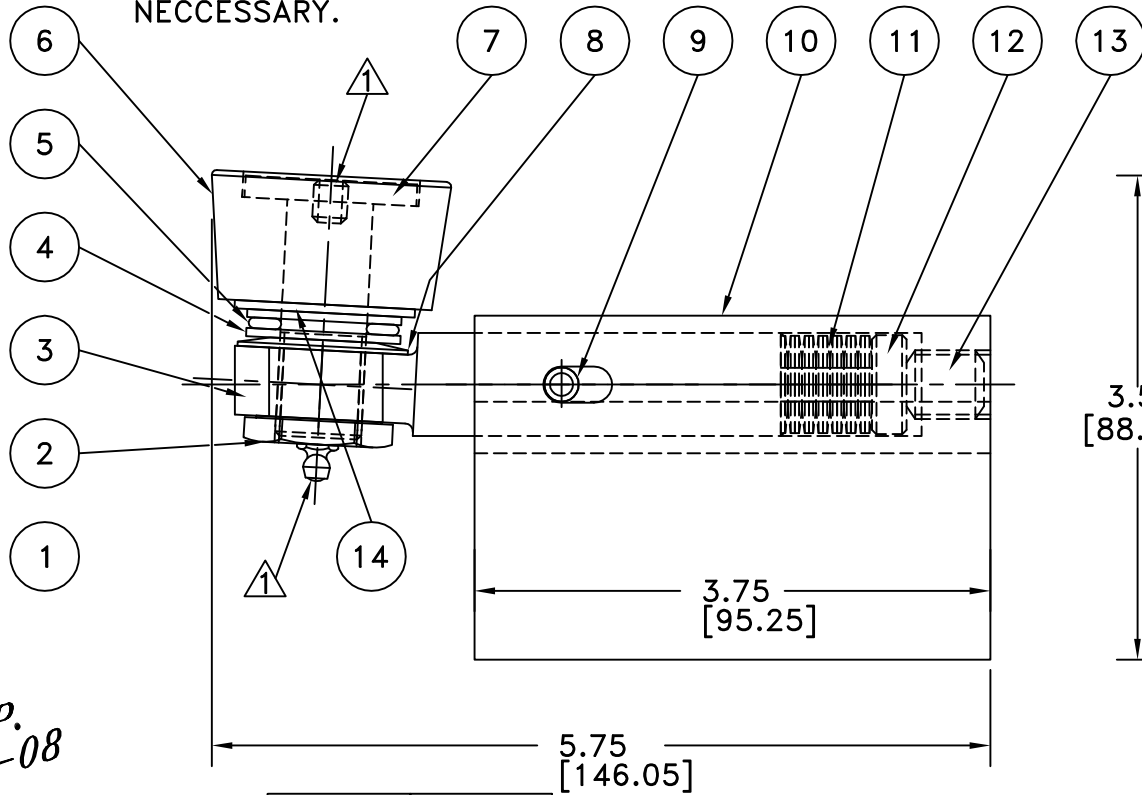
SUPERSEDED BY

SUPERSEDES

ENG. OR FILE

NOTES:

▲ LUBE FITTING AND SET SCREW COME WITH AXLE.
LUBE FITTING AND SET SCREW CAN BE SWITCHED IF NECESSARY.



OK
S.G.P.
7-1-08

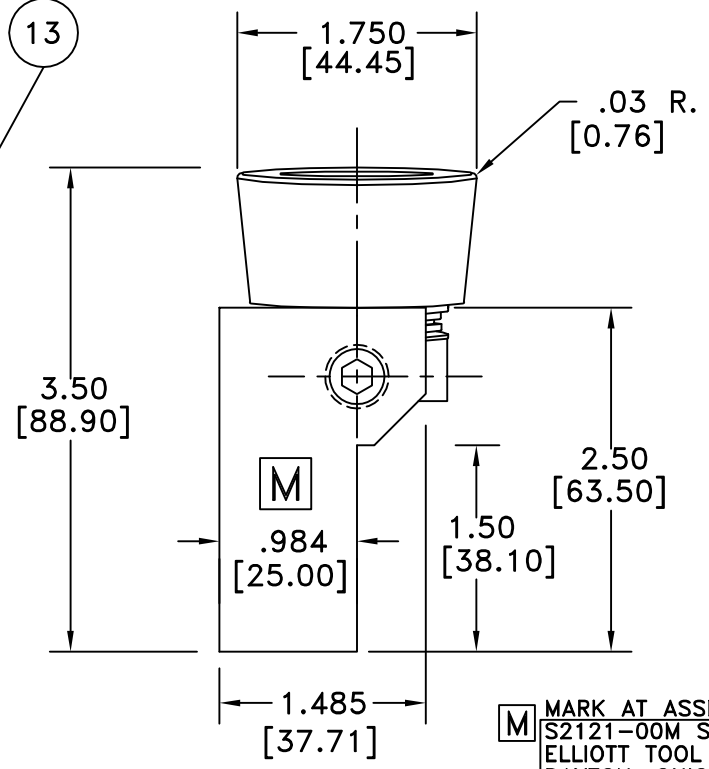
WEIGHT 3.953 LBS. VOLUME 37.73 IN.³

14	BEARING RACE	S2075D17	1	
13	SOC.SET SCREW	128B	1	
12	SLUG	ED18	1	
11	BELLEVILLE SPRINGS	579-44	13	
10	TOOL HOLDER	S2121D13M	1	
9	PIN	P8386-24	1	
8	BELLEVILLE SPRING	579-94	1	
7	AXLE	S2075D10	1	
6	ROLL	S2075-05	1	
5	THRUST BEARING	P1067-1	1	
4	THRUST RACE	P1067K	1	
3	SHANK	S2075D3	1	
2	LOCK NUT	PC76-0050818	1	
1	ASSEMBLED TOOL	S2121-00M	~	
	PART NAME	PART NUMBER	REQ.	CHG. OUT

SPRING FORCE INFORMATION	
DET.8	
DEFLECTION	FORCE
.011[0.279]	95 LBS.
.022[0.558]	145 LBS.
.033[0.838]	165 LBS.
.044[1.117]	170 LBS.
DET. 11	
DEFLECTION	FORCE
.064[1.62]	65 LBS
.127[3.22]	119 LBS
.191[.485]	165 LBS.
.250[6.35]	208 LBS

USED ON: _____ PART NO. **S2121-00M**

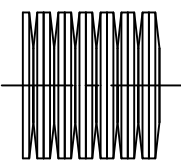
SHEET NO. _____ OF _____ ENG. CHANGE NO. _____



M MARK AT ASSEMBLY:
S2121-00M S2121D13M
ELLIOTT TOOL TECH.
DAYTON, OHIO

ASSEMBLY NOTE:
ASSEMBLE TOOL WITH NO PRELOAD ON THE SPRING.
JUST TIGHTEN THE SET SCREW TO REMOVE END PLAY.

NOTE:
BELLEVILLE SPRINGS DET.13 TO BE STACKED IN SERIES.



THIS DRAWING CONTAINS INFORMATION OF A PROPRIETARY NATURE AND IS ISSUED FOR REFERENCE USE ONLY AND MAY NOT BE COPIED, REPRODUCED OR USED TO MANUFACTURE ANYTHING WITHOUT WRITTEN PERMISSION.

NAME **SINGLE ROLL - CARBIDE BURNISHING TOOL**

DR. BY: *S.G. Poettinger 6-25-08*

CHK. BY: *R.T. (06-26-08)* PROJECT NO. Q14358KM

SCALE = **N.T.S.**

PART NO. **S2121-00M**